



RUEDAS Y NEUMÁTICOS
Tyres and wheels

RUEDA COMPLETA

Rueda Implement
Rueda de Flotación
Rueda de Flotación Radial
Rueda Trasera Tractor
Rueda Delantera Tractor
Rueda Estrecha
Rueda Carretera
Rueda Remolque Agrícola
Rueda Recauchutada
Rueda Industrial

CAMARAS

Cámaras desde 4" a 16"
Cámaras desde 16,5" a 42"

INFORMACION TECNICA

Condiciones de garantía
Variación de capacidad de carga en función de la velocidad
Índice de carga y código de velocidad
Dimensiones de los agujeros de la llanta
Tamaño y forma de los agujeros de la llanta

WHEEL MOUNTED

Implement Wheel
Flotation Wheel
Radial Flotation Wheel
Rear Tractor Wheel
Front Tractor Wheel
Row Crop Wheel
Road Wheel
Agricultural Trailer Wheel
Retreated Wheel
Industrial Wheel

TUBES

Tubes from 4" to 16"
Tubes from 16,5" to 42"

TECHNICAL INFORMATION

Guarantee conditions
Load capacity vs speed
Load index and speed index
Dimensions of the holes of the rim
Size and shape of rim holes



RUEDAS Y NEUMÁTICOS

Tyres and wheels

RUEDA COMPLETA

Rueda Implement
Rueda de Flotación
Rueda de Flotación Radial
Rueda Trasera Tractor
Rueda Delantera Tractor
Rueda Estrecha
Rueda Carretera
Rueda Remolque Agrícola
Rueda Recauchutada
Rueda Industrial

WHEEL MOUNTED

Implement Wheel
Flotation Wheel
Radial Flotation Wheel
Rear Tractor Wheel
Front Tractor Wheel
Row Crop Wheel
Road Wheel
Agricultural Trailer Wheel
Retreated Wheel
Industrial Wheel


IMP-1

| Ø | REFERENCIA Reference | PR pr | DIBUJO Pattern | LLANTA Rim | DIMENSIONES Dimensions | | TIPO Tpe | CARGA / VEL. Load / Speed | PRESION Pressure (bar) |
|-------|-------------------------|----------|-------------------|---------------|---------------------------|----------------------|-------------|------------------------------|------------------------------|
| | | | | | Ancho Width | Diámetro Diameter | | | |
| 12" | 10,0/80-12 | 8 | IMP-1 | 7 | 264 | 710 | TL | 116A6 | 3,1 |
| | | 10 | | 7 | 264 | 710 | | 126A6 | 3,9 |
| 15,3" | 10,0/75-15,3 | 10 | IMP-1 | 9 | 274 | 760 | TL | 123A8 | 3,9 |
| | | 12 | | 9 | 274 | 760 | | 126A8 | 4,7 |
| | | 14 | | 9 | 274 | 760 | | 130A8 | 5,5 |
| | | 18 | | 9 | 274 | 760 | | 135A8 | 7,1 |
| | 11,5/80-15,3 | 10 | IMP-1 | 9 | 297 | 844 | TL | 131A8 | 3,4 |
| | | 12 | | 9 | 297 | 844 | | 134A8 | 4,1 |
| | | 14 | | 9 | 297 | 844 | | 139A8 | 4,7 |
| | | 16 | | 9 | 297 | 844 | | 142A8 | 5,5 |
| | 18 | | 9 | 297 | 844 | | 144A8 | 6,2 | |
| | 12,5/80-15,3 | 14 | | 9 | 312 | 885 | | 144A8 | 5,9 |
| 15,5" | 400/60-15,5 | 14 | IMP-1 | 13 | 405 | 875 | TL | 145A8 | 3,6 |
| 16" | 10,5/65-16 | 14 | IMP-1 | 9 | 274 | 755 | TL | 134A6 | 5,6 |
| | | 14 | | 11 | 336 | 770 | | 137A6 | 4,2 |
| | 13,0/55-16 | 10 | IMP-1 | 13 | 391 | 850 | TL | 134A8 | 2,6 |
| | | 14 | | 13 | 391 | 850 | | 140A8 | 3,6 |
| 17" | 19,0/45-17 | 10 | IMP-1 | 16 | 491 | 866 | TL | 138A8 | 2,2 |
| | | 14 | | 16 | 500 | 945 | | 149A8 | 2,7 |
| | | 18 | | 16 | 500 | 945 | | 154A8 | 3,5 |
| 18" | 13,0/65-18 | 14 | IMP-1 | 11 | 336 | 890 | TL | 141A8 | 4,3 |
| | | 16 | | 11 | 336 | 890 | | 144A8 | 4,9 |
| 20" | 16,0/70-20 | 14 | IMP-1 | 14 | 418 | 1075 | TL | 154A8 | 3,5 |


IMP-2

| Ø | REFERENCIA Reference | PR pr | DIBUJO Pattern | LLANTA Rim | DIMENSIONES Dimensions | | TIPO Tpe | CARGA / VEL. Load / Speed | PRESION Pressure (bar) |
|-------|-------------------------|----------|-------------------|---------------|---------------------------|----------------------|-------------|------------------------------|------------------------------|
| | | | | | Ancho Width | Diámetro Diameter | | | |
| 12" | 200/95-12 | - | IMP-1 | 7 | 198 | 684 | TL | 101A8 | 2,4 |
| | | - | | 9 | 274 | 760 | | 116A8 | 2,4 |
| 15,3" | 260/70-15,3 | - | IMP-1 | 9 | 274 | 760 | TL | 126A8 | 3,6 |
| | | - | | 9 | 274 | 760 | | 131A8 | 5,0 |
| | | - | | 9 | 297 | 870 | | 132A8 | 2,8 |
| | 300/80-15,3 | - | IMP-1 | 9 | 297 | 870 | TL | 141A8 | 4,0 |
| | | - | | 9 | 297 | 870 | | 145A8 | 4,0 |
| | 320/80-15,3 | - | | 9 | 322 | 897 | | 145A8 | 4,0 |
| 16" | 260/70-16 | - | IMP-1 | 8 | 265 | 776 | TL | 134A8 | 5,0 |
| | | - | | 11 | 342 | 777 | | 140A8 | 4,0 |
| | 340/55-16 | - | | 11 | 362 | 880 | | 148A8 | 4,0 |
| | 360/65-16 | - | | 11 | 362 | 880 | | 148A8 | 4,0 |
| | 380/55-17 | - | | 12 | 384 | 845 | | 138A8 | 2,8 |
| 17" | 480/45-17 | - | IMP 2 | 16 | 478 | 868 | TL | 146A8 | 3,2 |
| | | - | | 16 | 500 | 945 | | 149A8 | 2,8 |


FLOT-1

| Ø | REFERENCIA Reference | PR pr | DIBUJO Pattern | LLANTA Rim | DIMENSIONES Dimensions | | TIPO Tpe | CARGA / VEL. Load / Speed | PRESION Pressure (bar) | | | |
|-------------|-------------------------|-------------|-------------------|---------------|---------------------------|----------------------|-------------|------------------------------|------------------------------|-----|-------|-----|
| | | | | | Ancho Width | Diámetro Diameter | | | | | | |
| 15,5" | 400/60-15.5 | 14 | FLOT-1 | 13 | 404 | 874 | TL | 145A8 | 3,5 | | | |
| | 400/55-22.5 | 12 | FLOT-1 | 13 | 401 | 1030 | TL | 146A8 | 3,0 | | | |
| | | 16 | | 13 | 401 | 1030 | | 152A8 | 4,0 | | | |
| | 500/60-22.5 | 12 | | 16 | 500 | 1170 | | 157A8 | 2,4 | | | |
| | | 16 | | 16 | 500 | 1170 | | 151A8 | 3,2 | | | |
| | 550/45-22.5 | 12 | | 16 | 550 | 1070 | | 140A8 | 2,4 | | | |
| | | 16 | | 16 | 550 | 1070 | | 159A8 | 2,8 | | | |
| | 550/60-22.5 | 12 | | 16 | 550 | 1238 | | 160A8 | 2,3 | | | |
| | | 16 | | 16 | 550 | 1238 | | 166A8 | 3,0 | | | |
| | 22,5" | 600/50-22.5 | | 12 | FLOT-1 | 20 | | 600 | 1170 | TL | 159A8 | 2,0 |
| 600/55-22.5 | | 16 | | 20 | 600 | 1170 | | 165A8 | 2,6 | | | |
| | | 12 | 20 | 600 | 1270 | 164A8 | 2,0 | | | | | |
| 600/55-22.5 | | 16 | 20 | 600 | 1270 | 169A8 | 2,6 | | | | | |
| | | 12 | 24 | 700 | 1170 | 160A8 | 2,0 | | | | | |
| 700/40-22.5 | | 16 | 24 | 700 | 1170 | 166A8 | 2,6 | | | | | |
| | | 12 | 24 | 700 | 1270 | 168A8 | 2,2 | | | | | |
| 700/50-22.5 | | 16 | 24 | 700 | 1270 | 174A8 | 2,8 | | | | | |
| | | 12 | 20 | 591 | 1333 | 165A8 | 2,0 | | | | | |
| 26,5" | | 600/55-26.5 | 16 | FLOT-1 | 20 | 591 | 1333 | TL | 170A8 | 2,6 | | |
| | 12 | | 24 | | 700 | 1333 | 169A8 | | 1,8 | | | |
| | 700/50-26.5 | 16 | 24 | | 700 | 1333 | 174A8 | | 2,4 | | | |
| | | 12 | 28 | | 800 | 1393 | 170A8 | | 1,7 | | | |
| | 800/45-26.5 | 16 | 28 | | 800 | 1393 | 177A8 | | 2,2 | | | |
| | | 12 | 20 | | 650 | 1670 | 174A8 | | 1,7 | | | |
| | 30,5" | 650/60-30.5 | 16 | | FLOT-1 | 20 | 650 | | 1670 | TL | 179A8 | 2,2 |
| | | | 12 | | | 24 | 750 | | 1670 | | 176A8 | 1,7 |
| | | 750/60-30.5 | 16 | | | 24 | 750 | | 1670 | | 182A8 | 2,2 |
| | | | 12 | | | 28 | 850 | | 1670 | | 180A8 | 1,5 |
| 850/50-30.5 | | 16 | 28 | 850 | | 1670 | 186A8 | 2,2 | | | | |


FLOT-2

| Ø | REFERENCIA Reference | PR pr | DIBUJO Pattern | LLANTA Rim | DIMENSIONES Dimensions | | TIPO Tpe | CARGA / VEL. Load / Speed | PRESION Pressure (bar) |
|-------|-------------------------|----------|-------------------|---------------|---------------------------|----------------------|-------------|------------------------------|------------------------------|
| | | | | | Ancho Width | Diámetro Diameter | | | |
| 22,5" | 500/60R22.5 | - | FLOT-2 | 16 | 510 | 1180 | TL | 155D | 4,0 |
| | 560/45R22.5 | - | | 16 | 550 | 1070 | | 152D | |
| | 560/60R22.5 | - | | 16 | 554 | 1245 | | 164D | |
| | 600/55R22.5 | - | | 20 | 600 | 1245 | | 165D | |
| | 650/50R22.5 | - | | 20 | 650 | 1235 | | 163D | |
| | 750/45R22.5 | - | | 24 | 750 | 1245 | | 163E | |
| 26,5" | 600/55R26.5 | - | FLOT-2 | 20 | 625 | 1345 | TL | 165D | 4,0 |
| | 650/55R26.5 | - | | 20 | 645 | 1360 | | 170D | |
| | 750/45R26.5 | - | | 24 | 750 | 1360 | | 170D | |


FLOT-3

| Ø | REFERENCIA Reference | PR pr | DIBUJO Pattern | LLANTA Rim | DIMENSIONES Dimensions | | TIPO Tpe | CARGA / VEL. Load / Speed | PRESION Pressure (bar) |
|-------|-------------------------|----------|-------------------|---------------|---------------------------|----------------------|-------------|------------------------------|------------------------------|
| | | | | | Ancho Width | Diámetro Diameter | | | |
| 22,5" | 600/50R22.5 | - | FLOT-3 | 20 | 583 | 1171 | TL | 167D | 4,0 |
| | 650/55R26,6 | - | | 20 | 660 | 1395 | | 178D | |
| 26,5" | 710/50R26,5 | - | FLOT-3 | 24 | 730 | 1390 | TL | 178D | 4,0 |
| | 800/45R26,5 | - | | 28 | 810 | 1390 | | 177D | |
| | 600/60R30,5 | - | | 20 | 635 | 1505 | | 179D | |
| 30,5" | 710/50R30,5 | - | FLOT-3 | 24 | 727 | 1495 | TL | 176D | 4,0 |
| | 750/60R30,5 | - | | 24 | 775 | 1675 | | 181D | |
| | 850/50R30,5 | - | | 28 | 865 | 1628 | | 182D | |


R-1

| Ø | REFERENCIA Reference | PR pr | DIBUJO Pattern | LLANTA Rim | DIMENSIONES Dimensions | | TIPO Tpe | CARGA / VEL. Load / Speed | PRESION Pressure (bar) |
|-----|-------------------------|----------|-------------------|---------------|---------------------------|----------------------|-------------|------------------------------|------------------------------|
| | | | | | Ancho Width | Diámetro Diameter | | | |
| 24" | 11.2-24 | 8 | R1 | 10 | 284 | 1118 | TT | 116A8 | 2,4 |
| | 12.4-24 | 8 | | 11 | 315 | 1168 | TT | 121A8 | 2,3 |
| | 13.6-24 | 8 | | 12 | 345 | 1190 | TT | 123A8 | 2,0 |
| | 14.9-24 | 12 | | 12 | 378 | 1265 | TT | 136A8 | 2,6 |
| | 15,5/80-24 | 16 | | 13 | 394 | 1262 | TL | 163A6 | 4,0 |
| | 16,5/85-24 | 14 | | 13 | 415 | 1325 | TL | 165A6 | 3,3 |
| 26" | 18,4-26 | 12 | R1 | 16 | 467 | 1461 | TT | 146A8 | 2,3 |
| | 23.1-26 | 18 | | 20 | 590 | 1605 | TT | 170A8 | 2,6 |
| | 28.L-26 | 12 | | 25 | 751 | 1623 | TT | 154A8 | 1,4 |
| 28" | 14,9-28 | 8 | R1 | 13 | 378 | 1365 | TT | 130A8 | 1,8 |
| | 16.9-28 | 10 | | 15 | 429 | 1435 | TT | 139A8 | 2,0 |
| 30" | 16.9-30 | 10 | R1 | 15 | 429 | 1485 | TT | 141A8 | 2,1 |
| | 18.4-30 | 10 | | 16 | 467 | 1550 | TT | 145A8 | 1,8 |
| | | 14 | | 16 | 467 | 1550 | TT | 152A8 | 2,7 |
| | 23.1-30 | 14 | | 20 | 592 | 1710 | TT | 158A8 | 2,0 |
| 32" | 24,5LR32 | - | R1 | 21 | 622 | 1800 | TL | 159A8 | 1,6 |
| | 30,5LR32 | - | | 27 | 775 | 1820 | TL | 173A8 | 2,4 |
| 34" | 18.4-34 | 10 | R1 | 16 | 467 | 1650 | TT | 146A8 | 1,8 |
| | | 14 | | 16 | 467 | 1650 | TT | 153A8 | 2,5 |
| 38" | 18,4-38 | 14 | R1 | 16 | 467 | 1750 | TT | 155A8 | 2,5 |
| | 20,8-38 | 14 | | 18 | 546 | 1855 | TT | 159A8 | 2,3 |


R-1

| Ø | REFERENCIA Reference | PR pr | DIBUJO Pattern | LLANTA Rim | DIMENSIONES Dimensions | | TIPO Tpe | CARGA / VEL. Load / Speed | PRESION Pressure (bar) |
|-----|-------------------------|----------|-------------------|---------------|---------------------------|----------------------|-------------|------------------------------|------------------------------|
| | | | | | Ancho Width | Diámetro Diameter | | | |
| 25" | 1.000/50R25 | - | R1 | 36 | 1060 | 1650 | TL | 172A8 | 2,4 |
| 26" | 750/65R26 | - | R1 | 25 | 751 | 1623 | TL | 166A8 | 2,4 |
| 28" | 600/65R28 | - | R1 | 18 | 591 | 1480 | TL | 150A8 | 1,6 |
| | 650/75R32 | - | | 21 | 625 | 1800 | TL | 172A8 | 3,2 |
| 32" | 800/65R32 | - | R1 | 27 | 800 | 1850 | TL | 173A8 | 2,4 |
| | 900/60R32 | - | | 27 | 880 | 1906 | TL | 176A8 | 2,4 |
| | 1.050/50R32 | - | | 36 | 1030 | 1906 | TL | 180A8 | 2,2 |
| 34" | 710/75R34 | - | R1 | 23 | 721 | 1994 | TL | 178A8 | 3,2 |
| 38" | 710/70R38 | - | R1 | 23 | 726 | 1952 | TL | 168A8 | 1,6 |
| | 800/70R38 | - | | 25 | 798 | 2080 | TL | 173A8 | 1,6 |
| 42" | 710/70R42 | - | R1 | 23 | 730 | 2066 | TL | 173A8 | 3,0 |


R-1

| Ø | REFERENCIA Reference | PR pr | DIBUJO Pattern | LLANTA Rim | DIMENSIONES Dimensions | | TIPO Type | CARGA / VEL. Load / Speed | PRESION Pressure (bar) |
|-------|-------------------------|----------|-------------------|---------------|---------------------------|----------------------|--------------|------------------------------------|------------------------------|
| | | | | | Ancho Width | Diámetro Diameter | | | |
| 12" | 6,50/80-12 | 6 | R-1 | 5 | 163 | 597 | TT | 93A6 | 3,6 |
| | 7,00-12 | 6 | R-1 | 5 | 196 | 670 | TT | 83A8 | 2,5 |
| 15,3" | 10,0/75-15,3 | 10 | R-1 | 9 | 264 | 780 | TL | 123A8 | 3,9 |
| | 11,5/80-15,3 | 12 | R-1 | 9 | 290 | 867 | TL | 134A8 | 4,1 |
| 16" | 6,00-16 | 6 | R-1 | 4 | 165 | 735 | TT | 88A6 | 3,3 |
| | 7,50-16 | 8 | R-1 | 5,5 | 206 | 808 | TT | 103A8 | 3,7 |
| 18" | 7,50-18 | 8 | R-1 | 5,5 | 203 | 855 | TT | 107A6 | 3,7 |


IND

| Ø | REFERENCIA Reference | PR pr | DIBUJO Pattern | LLANTA Rim | DIMENSIONES Dimensions | | TIPO Type | CARGA / VEL. Load / Speed | PRESION Pressure (bar) |
|-------|-------------------------|----------|-------------------|---------------|---------------------------|----------------------|--------------|------------------------------------|------------------------------|
| | | | | | Ancho Width | Diámetro Diameter | | | |
| 15,3" | 10,0/75-15,3 | 10 | IND | 9 | 264 | 780 | TL | 123A8 | 3,9 |
| | 11,5/80-15,3 | 12 | IND | 9 | 290 | 867 | TL | 131A8 | 3,4 |


DEL-1

| Ø | REFERENCIA Reference | PR pr | DIBUJO Pattern | LLANTA Rim | DIMENSIONES Dimensions | | TIPO Type | CARGA / VEL. Load / Speed | PRESION Pressure (bar) |
|-----|-------------------------|----------|-------------------|---------------|---------------------------|----------------------|--------------|------------------------------------|------------------------------|
| | | | | | Ancho Width | Diámetro Diameter | | | |
| 16" | 6,00-16 | 6 | DEL-1 | 4 | 170 | 745 | TT | 88A6 | 3,3 |
| | | 6 | DEL-2 | 4 | 170 | 735 | TT | 88A6 | 3,3 |
| | 7,50-16 | 6 | DEL-1 | 5,5 | 205 | 820 | TT | 98A6 | 2,8 |
| | | 6 | DEL-2 | 5,5 | 207 | 810 | TT | 98A6 | 2,8 |
| | | 8 | DEL-2 | 5,5 | 207 | 810 | TT | 103A6 | 3,7 |
| | | 10 | DEL-2 | 8 | 237 | 855 | TT | 116A6 | 3,9 |
| 18" | 7,50-16 | 8 | DEL-2 | 8 | 275 | 900 | TT | 115A6 | 2,8 |
| | | 8 | DEL-2 | 10 | 320 | 970 | TT | 118A6 | 2,5 |
| | 7,50-18 | 8 | DEL-2 | 5,5 | 207 | 860 | TT | 106A6 | 3,7 |
| | | 8 | DEL-1 | 5,5 | 208 | 875 | TT | 106A6 | 3,7 |


DEL-2


ROW

ROW

| Ø | REFERENCIA Reference | DIBUJO Pattern | LLANTA Rim | DIMENSIONES Dimensions | | TIPO Type | CARGA / VEL. Load / Speed | PRESION Pressure (bar) |
|-----|-------------------------|-------------------|---------------|---------------------------|----------------------|--------------|------------------------------|------------------------------|
| | | | | Ancho Width | Diámetro Diameter | | | |
| | 8,3R32 | ROW | 7 | 211 | 1190 | TL | 116D / 116A8 | 3,6 |
| 32" | 9,5R32 (230/95R32) | ROW | 8 | 241 | 1245 | TL | 128D / 128A8 | 3,6 |
| | 11,2R32 (270/95R32) | ROW | 10 | 284 | 1300 | TL | 132D / 132A8 | 3,6 |
| 36" | 8,3R36 (210/95R36) | ROW | 7 | 211 | 1290 | TL | 118D / 116A8 | 3,6 |
| | 9,5R36 (230/95R36) | ROW | 8 | 241 | 1345 | TL | 130D / 130A8 | 3,6 |
| | 11,2R36 (270/95R36) | ROW | 10 | 284 | 1410 | TL | 136D / 136A8 | 3,6 |
| 38" | 11,2R38 (270/95R38) | ROW | 10 | 284 | 1456 | TL | 137D / 137A8 | 3,6 |
| 40" | 9,5R40 (230/95R40) | ROW | 8 | 241 | 1460 | TL | 132D / 132A8 | 3,6 |
| 44" | 9,5R44 (230/95R44) | ROW | 8 | 241 | 1550 | TL | 134D / 134A8 | 3,6 |
| | 11,2R44 (270/95R44) | ROW | 10 | 284 | 1605 | TL | 140D / 140A8 | 3,6 |
| | 11,2R46 (270/95R46) | ROW | 10 | 284 | 1665 | TL | 141D / 141A8 | 3,6 |
| 46" | 12,4R46 (320/90R46) | ROW | 11 | 315 | 1705 | TL | 148D / 143A2 | 3,6 |
| | 9,5R48 (230/95R48) | ROW | 8 | 241 | 1650 | TL | 136D / 136A8 | 3,6 |
| 48" | 11,2R48 (270/95R48) | ROW | 10 | 284 | 1710 | TL | 142D / 142A8 | 3,6 |
| | 13,6R48 | ROW | 12 | 345 | 1805 | TL | 148D / 148A8 | 3,6 |
| 50" | 12,4R50 (320/90R50) | ROW | 11 | 325 | 1867 | TL | 150A8 / 150D | 3,6 |
| 52" | 12,4R52 (300/95R52) | ROW | 10 | 310 | 1890 | TL | 148D / 159A2 | 3,6 |
| 54" | 11,2R54 (270/95R54) | ROW | 10 | 275 | 1885 | TL | 146D / 157A2 | 3,6 |
| | 12,4R54 (320/90R54) | ROW | 10 | 320 | 1948 | TL | 151D / 162A2 | 3,6 |


VEL-1

VEL-2

Remolque 1

Remolque 2

| Ø | REFERENCIA Reference | PR pr | DIBUJO Pattern | LLANTA Rim | DIMENSIONES Dimensions | | TIPO Type | CARGA / VEL. Load / Speed | PRESION Pressure (bar) |
|---------|-------------------------|----------|-------------------|---------------|---------------------------|----------------------|--------------|------------------------------------|------------------------------|
| | | | | | Ancho Width | Diámetro Diameter | | | |
| 8" | 3,50-8 | 4 | VEL-1 | 2,5 | 89 | 384 | TL | 46J | 2,5 |
| | 4,00-8 | 6 | | 2,5 | 110 | 423 | | 62J | 4,0 |
| | 16,5x6,5-8 | 6 | | 5,5 | 163 | 414 | | 64J | 3,1 |
| | 18,5x8,5-8 | 6 | | 5,5 | 212 | 462 | | 78J | 3,5 |
| 10" | 4,50-10 | 6 | VEL-1 | 3,5 | 138 | 494 | TL | 69J | 3,5 |
| | 5,00-10 | 6 | | 3,5 | 144 | 512 | | 77J | 4,0 |
| | 145R10 | 6 | | 3,5 | 145 | 486 | | 68J | 2,3 |
| 12" | 155/70R12 | - | VEL-2 | 4,5 | 155 | 525 | TL | 100J | 6,3 |
| | 135R13 | - | VEL-2 | 4 | 137 | 548 | TL | 70J | 2,4 |
| | 145R13 | - | | 4 | 147 | 566 | | 75J | 2,4 |
| | 155R13 | - | | 4 | 157 | 578 | | 79J | 2,5 |
| | 165R13 | - | | 4,5 | 167 | 596 | | 83J | 2,5 |
| | 175/70R13 | - | | 4,5 | 170 | 576 | | 82J | 2,5 |
| | 185/70R13 | - | | 4,5 | 177 | 590 | | 86J | 2,5 |
| | 195/50R13C | - | | 4,5 | 193 | 525 | | 104J | 6,3 |
| | 165R14C | - | | 5 | 163 | 622 | | 93J | 3,8 |
| | 175R14C | - | | 5 | 178 | 638 | | 96J | 3,5 |
| 185R14C | - | 5 | | 186 | 641 | 102J | | 4,5 | |
| 14" | 195R14C | - | VEL-2 | 5 | 200 | 655 | TL | 106J | 4,5 |
| | 205R14C | - | | 6 | 203 | 684 | | 109J | 4,5 |
| | 205/65R15 | - | | 5,5 | 205 | 665 | | 94J | 3,0 |
| | 235/75R15 | - | | 6 | 244 | 747 | | 116J | 5,0 |

| Ø | REFERENCIA Reference | PR pr | DIBUJO Pattern | LLANTA Rim | DIMENSIONES Dimensions | | TIPO Type | CARGA / VEL. Load / Speed | PRESION Pressure (bar) |
|-----|-------------------------|----------|-------------------|---------------|---------------------------|----------------------|--------------|------------------------------------|------------------------------|
| | | | | | Ancho Width | Diámetro Diameter | | | |
| 15" | 8,25-15 | 18 | REMOLQUE 1 | 6,5 | 234 | 836 | TT | 156A5 | 8,5 |
| 16" | 7,50-16 | 14 | REMOLQUE 2 | 5,5 | 210 | 802 | TT | 131A5 | 7,7 |


Remolque 1

Remolque 2

Remolque 3

Remolque 4

| Ø | REFERENCIA Reference | PR pr | DIBUJO Pattern | LLANTA Rim | DIMENSIONES Dimensions | | TIPO Type | CARGA / VEL. Load / Speed | PRESION Pressure (bar) |
|-------|-------------------------|----------|-------------------|---------------|---------------------------|----------------------|--------------|------------------------------|------------------------------|
| | | | | | Ancho Width | Diámetro Diameter | | | |
| 17,5" | 9,5R17,5 | - | | 6,75 | 240 | 842 | | 129/127L | 7,5 |
| | 215/75R17,5 | - | | 6,75 | 211 | 767 | | 135/133J | 8,5 |
| | 225/75R17,5 | - | Remolque | 6,75 | 225 | 767 | TL | 129/127L | 7,2 |
| | 235/75R17,5 | - | | 6,75 | 233 | 797 | | 143/141J | 8,7 |
| | 245/70R17,5 | - | | 6,75 | 248 | 789 | | 143/141J | 9,0 |
| 19,5" | 245/70R19,5 | - | | 7,5 | 248 | 839 | | 136/134L | 8,2 |
| | 265/70R19,5 | - | | 7,5 | 262 | 867 | | 143/141J | 8,5 |
| | 285/70R19,5 | - | | 8,25 | 283 | 895 | | 150/147J | 9,0 |
| | 305/70R19,5 | - | Remolque | 8,25 | 305 | 923 | TL | 148/145M | 8,5 |
| | 385/55R19,5 | - | | 11,75 | 381 | 919 | | 156J | 9,0 |
| 22,5" | 435/50R19,5 | - | | 14 | 438 | 931 | | 160J | 9,0 |
| | 445/45R19,5 | - | | 14 | 446 | 895 | | 160J | 9,0 |
| | 295/80R22,5 | - | | 9 | 298 | 1044 | | 152/148M | 8,5 |
| | 315/70R22,5 | - | | 9 | 312 | 1014 | | 152/148M | 7,5 |
| | 315/80R22,5 | - | | 9 | 312 | 1076 | | 154/150M | 8,2 |
| 22,5" | 385/55R22,5 | - | Remolque | 11,75 | 386 | 996 | TL | 160K | 9,0 |
| | 385/65R22,5 | - | | 11,75 | 389 | 1075 | | 160K | 9,0 |
| | 425/65R22,5 | - | | 13 | 430 | 1122 | | 165K | 8,2 |
| | 445/65R22,5 | - | | 14 | 445 | 1160 | | 169K | 9,0 |


REC-1

| Ø | REFERENCIA Reference | PR Pr | DIBUJO Pattern | LLANTA Rim | DIMENSIONES Dimensions | | TIPO Type | CARGA / VEL. Load / Speed | PRESION Pressure (bar) |
|-------|-------------------------|----------|-------------------|---------------|---------------------------|----------------------|--------------|------------------------------|------------------------------|
| | | | | | Ancho Width | Diámetro Diameter | | | |
| 19,5" | 285/70R19,5 | - | Carretera | 8,25 | 283 | 895 | TL | 150/147J | 5,0 |
| | 385/55R19,5 | - | Carretera | 11,75 | 386 | 919 | TL | 156J | 5,0 |
| | 435/50R19,5 | - | Carretera | 14 | 438 | 931 | TL | 160J | 5,0 |
| | 445/45R19,5 | - | Carretera | 14 | 446 | 895 | TL | 160J | 5,0 |
| 22,5" | 315/80R22,5 | - | Carretera | 9 | 312 | 1076 | TL | 154/150M | 5,0 |
| | 385/65R22,5 | - | Carretera | 11,75 | 389 | 1075 | TL | 160K | 5,0 |
| | 445/65R22,5 | - | Carretera | 14 | 445 | 1160 | TL | 169K | 5,0 |


REC-2

REC-3

REC-4

REC-5


S-800

| Ø | REFERENCIA Reference | PR pr | DIBUJO Pattern | LLANTA Rim | DIMENSIONES Dimensions | | TIPO Type | CARGA / VEL. Load / Speed | PRESION Pressure (bar) |
|-----|-------------------------|----------|-------------------|---------------|---------------------------|----------------------|--------------|------------------------------------|------------------------------|
| | | | | | Ancho Width | Diámetro Diameter | | | |
| 8" | 5,00-8 | 10 | | 3,50 | 144 | 468 | | 106A5 | 10,0 |
| | 18x7-8 | 14 | IND | 4,33 | 173 | 470 | TT | 121A5 | 9,0 |
| | | 16 | | 4,33 | 173 | 470 | | 125A5 | 10,0 |
| 9" | 6,00-9 | 10 | | 4,00 | 157 | 543 | | 117A5 | 8,5 |
| | 21x8-9 | 14 | IND | 6,00 | 203 | 533 | TT | 128A5 | 10,0 |
| 10" | 6,50-10 | 10 | IND | 5,00 | 185 | 595 | TT | 121A5 | 7,8 |
| 12" | 7,00-12 | 12 | | 5,00 | 189 | 692 | | 133A5 | 8,5 |
| | 27x10-12 | 14 | IND | 8,00 | 255 | 690 | TT | 142A5 | 7,0 |
| | 7,00-15 | 14 | | 5,50 | 200 | 750 | | 141A5 | 9,0 |
| | 7,50-15 | 14 | | 6,00 | 220 | 785 | | 144A5 | 9,3 |
| | 8,15-15 | 14 | | 7,00 | 215 | 720 | | 151A2 | 9,0 |
| 15" | 8,25-15 | 14 | IND | 6,50 | 236 | 854 | TT | 149A5 | 8,0 |
| | 250-15 | 16 | | 7,50 | 250 | 735 | | 149A5 | 9,3 |
| | 250-15 | 18 | | 7,50 | 250 | 735 | | 151A5 | 10,0 |
| | 300-15 | 20 | | 8,00 | 300 | 840 | | 164A5 | 9,3 |



RUEDAS Y NEUMÁTICOS
Tyres and wheels

INFORMACION TECNICA

Condiciones de garantía
Tabla de equivalencias de neumáticos
Variación en la capacidad de carga en función de la velocidad
Índice de carga y código de velocidad
Dimensiones de los agujeros de la llanta
Tamaño y forma de los agujeros de la llanta

TECHNICAL INFORMATION

Guarantee conditions
Tire conversion chart
Load capacity vs speed
Load index and speed index
Dimensions of the holes of the rim
Size and shape or rim holes

FD7 Axles & Tyres proporciona un período de 12 meses de garantía a partir de la fecha de venta que nunca será superior a 60 meses a partir de la fecha de fabricación. La fecha de fabricación viene indicada en el DOT que aparece en el flanco de los neumáticos o por el número de serie asignado.

La garantía sólo cubre los defectos de fabricación o defectos del material que limiten el uso del neumático en cuestión, en cambio, no cubre los defectos causados por el uso inadecuado del neumático o por el montaje del mismo con medios que no tengan conexión directa con la tecnología de fabricación. Esto significa que la garantía se convertirá en nula y sin efecto en las siguientes circunstancias:

- cuando el neumático muestra señales de una intervención negligente
- cuando no se han respetado o se han superado los límites descritos para el inflado, la carga o la velocidad máxima
- cuando se ha usado una llanta inadecuada o deteriorada
- cuando se han utilizado cámaras de aire inadecuadas o protector incorrectos
- cuando se ha dañado el neumático durante su montaje
- cuando se ha utilizado el neumático para una finalidad distinta de la prevista en el momento de la fabricación sin el consentimiento por escrito del fabricante
- cuando se ha utilizado el neumático con una carga superior a la capacidad de carga máxima del neumático
- cuando se produce un desgaste irregular causado por las malas condiciones técnicas del vehículo en cuestión
- cuando ha ocurrido un daño mecánico (golpe , impacto) al neumático durante su uso
- cuando los neumáticos entraron en contacto en caso de montaje gemelo
- cuando el neumático ha sido recauchutado
- cuando el neumático ha sido reparado por personal ajeno al fabricante (una reparación externa podría influir de modo negativo en el defecto objeto de la reclamación)
- cuando el neumático no se ha inflado con aire o gas inerte
- cuando se ha dañado el neumático mediante sustancias de origen oleoso u otros productos químicos (como catalizadores, combustibles, lubricantes, ácidos, lejías o disolventes, etc), por la acción de temperaturas elevadas (como cuerpos calientes o tambores de freno), por el fuego o por circunstancias fuera de control o de fuerza mayor
- cuando se ha producido un desgaste natural debido, por ejemplo a las condiciones de uso

Además de esto, **FD7 Axles & Tyres** no asume ninguna responsabilidad por los daños causados, cuando haya sido un tercero el que ha suministrado al cliente neumáticos inadecuados o dañados y dichos daños hayan ocurrido debido a la manipulación inadecuada de los neumáticos o como consecuencia de su uso.

Otra condición para dar por recibida una reclamación consiste en la necesidad de realizar dicha reclamación por parte de quien ha comprado los neumáticos a **FD7 Axles & Tyres** . No se aceptarán reclamaciones de terceros, a menos que los neumáticos hayan sido adquiridos como parte componente de un vehículo nuevo (primer equipo).

Imágenes necesarias en reclamaciones

Fotografía para cada neumático en reclamación :

Neumático montado en la máquina

Identificación del defecto , marcado con tiza, rotulado o sobre la imagen

Altura o profundidad de los tacos

Marcas laterales que identifican al neumático :

- Marca
- Modelo
- Medida
- Matricula
- Carga/velocidad

| Ø | STANDARD | SERIE 85 | SERIE 75 | SERIE 70 | SERIE 65 | SERIE 60 | SERIE 55-50 | RADIAL ESTRECHA (METRICA) | RADIAL ESTRECHA (PULGADAS) | | |
|---------|-----------|-----------|-----------|-----------|-----------|-----------|-------------|---------------------------|----------------------------|--|--|
| 16 | 6.5R16 | | | 260/70R16 | 280/65R16 | | | | | | |
| | 7.5R16 | | | 280/70R16 | 320/65R16 | | | | | | |
| 18 | 7.5R18 | | | 280/70R18 | 320/65R18 | | | | | | |
| 20 | 7.5R20 | | | 280/70R20 | 340/65R18 | | | | | | |
| | 9.5R20 | | | 300/70R20 | 340/65R20 | | | | | | |
| | 11.2R20 | 280/85R20 | | 320/70R20 | | | | | | | |
| | 12.4R20 | 320/85R20 | 340/75R20 | 360/70R20 | 420/65R20 | | | | | | |
| | | | | 300/70R24 | | | | | | | |
| 24 | 8.3R24 | 280/85R20 | | | | | | | | | |
| | 9.5R24 | 320/85R20 | 340/75R20 | | 420/65R20 | | | | | | |
| | | 250/85R24 | | 300/70R24 | | | | | | | |
| | 11.2R24 | 280/85R24 | | 320/70R24 | 440/65R20 | | | | | | |
| | 12.4R24 | 320/85R24 | | 360/70R24 | 420/65R24 | | | | | | |
| | 13.6R24 | 340/85R24 | | 380/70R24 | 440/65R24 | | | 210/95R32 | 8.3R32 | | |
| | | | | 400/70R24 | | | | | | | |
| | 14.9R24 | 380/85R24 | | 420/70R24 | 480/65R24 | | | 230/95R32 | 9.5R32 | | |
| 16.9R24 | 420/85R24 | | 480/70R24 | 540/65R24 | | | 270/95R32 | 11.2R32 | | | |
| 26 | 14.9R26 | | | 380/70R26 | 540/65R24 | | | | | | |
| | 16.9R26 | | | 480/70R26 | 540/65R26 | | | | | | |
| | 18.4R26 | | | 520/70R26 | 540/65R26 | 600/60R26 | 750/50R26 | 270/95R36 | 11.2R36 | | |
| | | | | 480/70R28 | | | | 230/95R38 | 9.5R38 | | |
| | | | | 580/70R26 | | | | | | | |
| | 23.1R26 | | 620/75R26 | 600/70R30 | 600/65R32 | | 1000/50R25 | | | | |
| | | | | 650/70R26 | 750/65R26 | | | | | | |
| 28 | 28LR26 | | 620/75R26 | 600/70R30 | 600/65R32 | | 1000/50R25 | | | | |
| | | | | 650/70R26 | 750/65R26 | | | | | | |
| | 9.5R28 | 250/85R28 | | 360/70R24 | 340/65R28 | | | | | | |
| | 11.2R28 | 280/85R28 | | 320/70R28 | 440/65R24 | | | 210/95R32 | 8.3R32 | | |
| | 12.4R28 | 320/85R28 | | 360/70R28 | 420/65R28 | | | | | | |
| | 13.6R28 | 340/85R28 | | 380/70R28 | 440/65R28 | 480/60R28 | | 270/95R32 | 11.2R32 | | |
| | 14.9R28 | 380/85R28 | | 420/70R28 | 480/65R28 | 520/60R28 | | 230/95R36 | 9.5R36 | | |
| 30 | 16.9R28 | 420/85R28 | | 480/70R28 | 540/65R26 | 600/60R28 | 750/50R26 | 270/95R36 | 11.2R36 | | |
| | | | | 580/70R26 | | | | | | | |
| | 14.9R30 | 380/85R30 | | 480/70R28 | 540/65R28 | | | 270/95R36 | 11.2R36 | | |
| | | | | 420/70R30 | | | | | | | |
| | 16.9R30 | 420/85R30 | 480/75R30 | 480/70R30 | 540/65R30 | 600/60R30 | | 270/95R38 | 11.2R38 | | |
| | | | | | 600/65R28 | | | 230/95R40 | | | |
| | 18.4R30 | 460/85R30 | | 520/70R30 | 600/65R30 | | 710/55R30 | 420/90R30 | 8.3R44 | | |
| 32 | | 320/85R38 | | 620/70R26 | | | | 210/95R44 | | | |
| | | | | 600/70R28 | | | | | | | |
| | 23.1R30 | | 620/75R30 | 480/70R38 | 540/65R38 | 600/60R38 | | | | | |
| | | | | 650/70R30 | | | | | | | |
| | 12.4R32 | 320/85R32 | | | | | | 230/95R38 | 9.5R38 | | |
| | 24.5R32 | | 650/75R32 | 680/70R32 | | 800/60R32 | | | | | |
| | | | 620/75R34 | | | | | | | | |
| 34 | 30.5LR32 | | 680/75R32 | 680/70R34 | 800/65R32 | 710/60R38 | 900/55R32 | | | | |
| | | | 650/75R34 | | 750/65R34 | | 1050/50R32 | | | | |
| | 14.9R34 | 380/85R34 | | | | | | | | | |
| | 16.9R34 | 420/85R34 | 400/75R38 | 480/70R34 | 540/65R34 | | | 230/95R44 | 9.5R44 | | |
| | 18.4R34 | 460/85R34 | 520/75R34 | 520/70R34 | 600/65R34 | | | 270/95R44 | 11.2R44 | | |
| 36 | | | | 650/70R30 | | | | 230/95R48 | 9.5R48 | | |
| | 23.1R34 | | 620/75R34 | 520/70R38 | 600/65R38 | | | | | | |
| | | | 650/75R32 | | | | | | | | |
| | 11.2R36 | 320/85R34 | | | | | | 270/95R36 | 11.2R36 | | |
| | 12.4R36 | 320/85R36 | 480/75R30 | 480/70R30 | 540/65R30 | 600/60R30 | | 270/95R38 | 11.2R38 | | |
| 38 | 13.6R36 | 340/85R36 | | 520/70R30 | 600/65R30 | | 710/55R30 | 210/95R44 | 8.3R44 | | |
| | | 380/85R34 | | 600/70R28 | | | | | | | |
| | | 460/85R30 | | 620/70R26 | | | | | | | |
| | 12.4R38 | 320/85R38 | | | | | | | | | |
| | 13.6R38 | 340/85R38 | 400/75R38 | 500/70R34 | 540/65R34 | | | 230/95R44 | 9.5R44 | | |
| | 14.9R38 | 380/85R38 | 520/75R34 | 520/70R34 | 600/65R34 | | | | | | |
| | | 460/85R34 | | 520/70R34 | | | | | | | |
| | 15.5R38 | 340/85R38 | 400/75R38 | 500/70R34 | 540/65R34 | | | 230/95R44 | 9.5R44 | | |
| 16.9R38 | 420/85R38 | 620/75R30 | 480/70R38 | 540/65R38 | 600/60R38 | | 230/95R48 | 9.5R48 | | | |
| 42 | 18.4R38 | 460/85R38 | 620/75R34 | 520/70R38 | 600/65R38 | 650/60R38 | | 300/95R46 | 12.4R46 | | |
| | | | 650/75R32 | 680/70R32 | | | | 270/95R48 | 11.2R48 | | |
| | 20.8R38 | 520/85R38 | 680/75R32 | 580/70R38 | 650/65R38 | 710/60R38 | 900/55R32 | 320/90R50 | | | |
| | | | | 620/70R38 | 750/65R34 | | 1050/50R32 | 380/90R46 | | | |
| | 18.4R42 | 460/85R42 | 680/75R32 | 580/70R38 | 600/65R42 | | 900/55R32 | 320/90R50 | | | |
| | | 340/85R48 | | 620/70R38 | 650/65R38 | | 1050/50R32 | | | | |
| | 20.8R42 | 520/85R42 | 650/75R38 | 580/70R42 | 650/65R42 | 710/60R42 | 900/50R42 | 300/95R52 | 12.4R52 | | |
| 46 | | 680/85R32 | 710/75R34 | 620/70R42 | | 900/60R32 | | 270/95R54 | 11.2R54 | | |
| | | | | 710/70R38 | | | | 320/90R54 | | | |
| | 20.8R46 | 520/85R46 | | 800/70R38 | 650/65R46 | 900/60R38 | | | | | |
| | 650/85R38 | | | 710/70R42 | | | | | | | |
| | | | | 620/70R46 | | | | | | | |
| HV | | 710/85R38 | 710/75R42 | | | 900/60R42 | | | | | |

Esta tabla de equivalencias está basada en las dimensiones ERTRO, no es exhaustiva y sirve sólo de guía)

NEUMATICOS TIPO IMPLEMENT; TRACTOR PEQUEÑO / Small tractor and implement tyre

| | 0 | 10 | 15 | 20 | 25 | 30 | 35 | 40 | 45 | 50 |
|--------------------|------|------|------|------|------|------|-----|------|-----|------|
| A6 (30km/h) | +65% | +29% | +21% | +14% | +7% | 0 | -5% | -10% | | |
| A8 (40km/h) | +65% | +40% | +33% | +26% | +19% | +12% | +5% | 0 | -5% | -10% |

NEUMATICOS TRASERA TRACTOR DIAGONAL Y RADIAL / Diagonal and radial rear tractor tyre

| | 0 | 5 | 10 | 15 | 20 | 25 | 30 | 35 | 40 | 45 | 50 |
|--------------------|-------|------|------|------|------|--------|------|------|-------|-----|-----|
| A6 (30km/h) | +130% | +70% | +40% | +30% | +20% | +7% | 0 | -10% | -20% | | |
| A8 (40km/h) | +130% | +70% | +50% | +34% | +23% | +11% | +7% | +3% | -4% | -9% | |
| D (65km/h) | +130% | +70% | +40% | +34% | +23% | +18,5% | +15% | +12% | -9,5% | -7% | -5% |

NEUMATICOS FLOTACION RADIAL / Radial flotation tyres

| | 0 | 5 | 10 | 15 | 20 | 25 | 30 | 35 | 40 | 45 | 50 | 55 | 60 | 65 | 70 | 75 | 80 |
|-------------------|-------|-------|------|------|------|------|------|------|------|------|------|------|------|-------|-----|-------|----|
| D (65km/h) | +95% | +87% | +75% | +60% | +50% | +40% | +35% | +30% | +24% | +17% | +11% | +7% | +3% | 0 | | | |
| F (80km/h) | +150% | +110% | +80% | +65% | +50% | +35% | +25% | +19% | +15% | +13% | +12% | +11% | +10% | +7,5% | +5% | +2,5% | 0 |

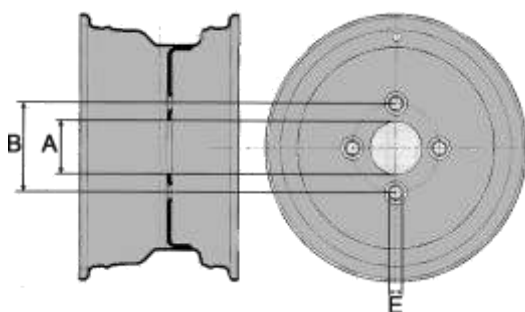
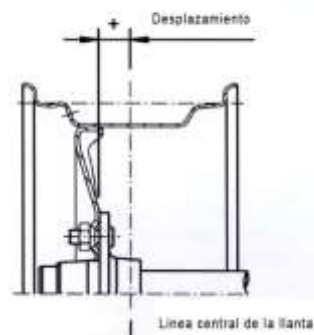
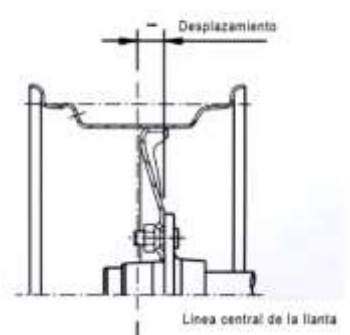
I.C. : Indice de carga / Load index

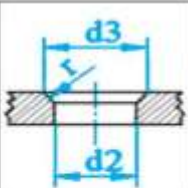
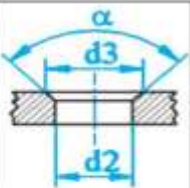
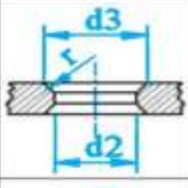
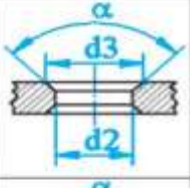
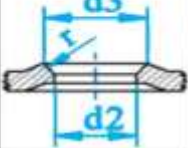
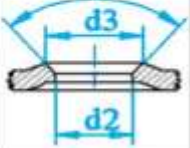
| I.C. | Peso Kg | I.C. | Peso Kg | I.C. | Peso Kg | I.C. | Peso Kg | I.C. | Peso Kg | I.C. | Peso Kg | I.C. | Peso Kg | I.C. | Peso Kg | I.C. | Peso Kg |
|------|---------|------|---------|------|---------|------|---------|------|---------|------|---------|------|---------|------|---------|------|---------|
| 0 | 45 | 20 | 80 | 40 | 140 | 60 | 250 | 80 | 450 | 100 | 800 | 120 | 1400 | 140 | 2500 | 160 | 4500 |
| 1 | 46,2 | 21 | 82,5 | 41 | 145 | 61 | 257 | 81 | 462 | 101 | 825 | 121 | 1450 | 141 | 2575 | 161 | 4625 |
| 2 | 47,5 | 22 | 85 | 42 | 150 | 62 | 265 | 82 | 475 | 102 | 850 | 122 | 1500 | 142 | 2650 | 162 | 4750 |
| 3 | 48,7 | 23 | 87,5 | 43 | 155 | 63 | 272 | 83 | 487 | 103 | 875 | 123 | 1550 | 143 | 2725 | 163 | 4875 |
| 4 | 50 | 24 | 90 | 44 | 160 | 64 | 280 | 84 | 500 | 104 | 900 | 124 | 1600 | 144 | 2800 | 164 | 5000 |
| 5 | 51,5 | 25 | 92,5 | 45 | 165 | 65 | 290 | 85 | 515 | 105 | 925 | 125 | 1650 | 145 | 2900 | 165 | 5150 |
| 6 | 53 | 26 | 95 | 46 | 170 | 66 | 300 | 86 | 530 | 106 | 950 | 126 | 1700 | 146 | 3000 | 166 | 5300 |
| 7 | 54,5 | 27 | 97,5 | 47 | 175 | 67 | 307 | 87 | 545 | 107 | 975 | 127 | 1750 | 147 | 3075 | 167 | 5450 |
| 8 | 56 | 28 | 100 | 48 | 180 | 68 | 315 | 88 | 560 | 108 | 1000 | 128 | 1800 | 148 | 3150 | 168 | 5600 |
| 9 | 58 | 29 | 103 | 49 | 185 | 69 | 325 | 89 | 580 | 109 | 1030 | 129 | 1850 | 149 | 3250 | 169 | 5800 |
| 10 | 60 | 30 | 106 | 50 | 190 | 70 | 335 | 90 | 600 | 110 | 1060 | 130 | 1900 | 150 | 3350 | 170 | 6000 |
| 11 | 61,5 | 31 | 109 | 51 | 195 | 71 | 345 | 91 | 615 | 111 | 1090 | 131 | 1950 | 151 | 3450 | 171 | 6150 |
| 12 | 63 | 32 | 112 | 52 | 200 | 72 | 355 | 92 | 630 | 112 | 1120 | 132 | 2000 | 152 | 3550 | 172 | 6300 |
| 13 | 65 | 33 | 115 | 53 | 206 | 73 | 365 | 93 | 650 | 113 | 1150 | 133 | 2060 | 153 | 3650 | 173 | 6500 |
| 14 | 67 | 34 | 118 | 54 | 212 | 74 | 375 | 94 | 670 | 114 | 1180 | 134 | 2120 | 154 | 3750 | 174 | 6700 |
| 15 | 69 | 35 | 121 | 55 | 218 | 75 | 387 | 95 | 690 | 115 | 1215 | 135 | 2180 | 155 | 3875 | 175 | 6900 |
| 16 | 71 | 36 | 125 | 56 | 224 | 76 | 400 | 96 | 710 | 116 | 1250 | 136 | 2240 | 156 | 4000 | 176 | 7100 |
| 17 | 73 | 37 | 128 | 57 | 230 | 77 | 412 | 97 | 730 | 117 | 1285 | 137 | 2300 | 157 | 4125 | 177 | 7300 |
| 18 | 75 | 38 | 132 | 58 | 236 | 78 | 425 | 98 | 750 | 118 | 1320 | 138 | 2360 | 158 | 4250 | 178 | 7500 |
| 19 | 77,5 | 39 | 136 | 59 | 243 | 79 | 437 | 99 | 775 | 119 | 1360 | 139 | 2430 | 159 | 4375 | 179 | 7750 |

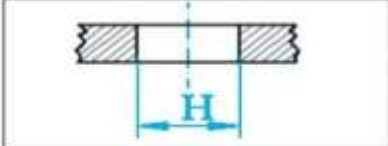
I.V.: Indice de velocidad / Speed index

| I.V. | Km/h | I.V. | Km/h | I.V. | Km/h | I.V. | Km/h |
|------|------|------|------|------|------|------|------|
| A1 | 5 | B | 50 | L | 120 | U | 200 |
| A2 | 10 | C | 60 | M | 130 | H | 210 |
| A3 | 15 | D | 65 | N | 140 | V | 240 |
| A4 | 20 | E | 70 | P | 150 | Z | >240 |
| A5 | 25 | F | 80 | Q | 160 | W | 270 |
| A6 | 30 | G | 90 | R | 170 | (W) | >270 |
| A7 | 35 | J | 100 | S | 180 | Y | 300 |
| A8 | 40 | K | 110 | T | 190 | (Y) | >300 |

| Nº Agujeros Holes | A Hueco central (mm) Central Hole (mm) | B Distancia entre agujeros (mm) Distance interholes mm | E Ø agujeros (mm) Ø bolt Hole (mm) |
|----------------------|--|--|--|
| 3 | 70 | 100 | 13 |
| | 55,5 | 85 | 14 |
| | 62,5 | 95 | 14 |
| 4 | 58,5 | 98 | 14,5 |
| | 60 | 100 | 15,5 |
| | 85 | 130 | 12,5 |
| | 85 | 130 | 14,5 |
| | 85 | 130 | 18,5 |
| | 113 | 152,4 | 21,5 |
| | 67 | 112 | 18,5 |
| 5 | 94 | 140 | 18,5 |
| | 109,5 | 139,7 | 15 |
| | 110 | 160 | 18,5 |
| | 110 | 165,1 | 18,5 |
| | 150,5 | 203,2 | 22,5 |
| | 150,5 | 203,2 | 32,2 |
| | 100 | 140 | 14,5 |
| 6 | 117,7 | 152,4 | 15 |
| | 130 | 170 | 21,5 |
| | 161 | 205 | 21,5 |
| | 161 | 205 | 27 |
| | 164,3 | 222,2 | 32,2 |
| | 110 | 152,4 | 18,5 |
| 8 | 152,4 | 203,2 | 16,8 |
| | 152,4 | 203,2 | 17,5 |
| | 221 | 275 | 21,5 |
| | 221 | 275 | 27 |
| | 164,3 | 222,2 | 32,2 |
| 10 | 221 | 285,7 | 32,2 |
| | 281 | 335 | 27 |


Desplazamiento positivo

Desplazamiento negativo


| Asientos Esféricos Spherical Seats | Asientos Cónicos Conical Seats | Tipo Type |
|---|---|--------------|
|  |  | (A) |
|  |  | (B) |
|  |  | (E) |

| Asientos planos Plain Seats | Tipo Type |
|---|--------------|
|  | (H) |

Dimensiones para Asientos / Seats Dimensions

| Nº | d2 mm | d3 mm | r mm | α (°) | Espárragos Stud Bolts |
|----|----------|----------|---------|-----------------|--------------------------|
| 1 | 18,5 | 24 | 14 | - | M14x1,5 |
| 2 | 21,5 | 27 | 16 | - | M18x1,5 |
| 3 | 27 | 32 | 18 | - | M22x1,5 |
| 5 | 32,2 | 37 | 22,2 | - | 3/4"-16 |
| 6 | 14 | - | 14 | - | M12x1,5 |
| 7 | 15,5 | - | 14 | - | M12x1,5 |
| 13 | 15 | 19,8 | - | 60 | M12x1,5 |
| 16 | 15,5 | - | - | 60 | M12x1,5 |
| 21 | 21,5 | 27 | - | 90 | M18x1,5 |
| 25 | 17,2 | 24 | - | 90 | M16x1,5 |
| 34 | 14 | - | - | 90 | M12x1,5 |
| 35 | 14,5 | - | - | 90 | M12x1,5 |
| 36 | 16,8 | 21,8 | - | 90 | M14x1,5 |

Ejemplo: A2 (Asiento esférico nº 2 , tipo A)
 Example: A2 (Spherical seat nr. 2 , type A)

Ejemplo: H15 (Asiento llano con diám. agujero 15 mm)
 Example: H15 (Plain seat with hole diameter 15 mm)



RUEDAS Y NEUMÁTICOS

Tyres and wheels

CAMARAS

Cámaras desde 4" a 16"

Cámaras desde 16,5" a 42"

TUBES

Tubes from 4" to 16"

Tubes from 16,5" to 42"

| | REFERENCIA Reference | VALVULA Valve | Ud/ CAJA Pc/box |
|-----------------------|-------------------------|----------------------|--------------------|
| 4 | CAMARA 3,00-4 | TR-87 | 100 |
| 8 | CAMARA 18X7-8 | JS2 | 35 |
| | CAMARA 3.00/3.25-8 | TR13 | 75 |
| | CAMARA 3.50/4.00-8 | TR13 | 75 |
| | CAMARA 5.00-8 | TR13 | 50 |
| | CAMARA 5.00-8 | JS2 | 50 |
| 9 | CAMARA 6.00-9 | JS2 | 40 |
| 10 | CAMARA 23X9-10 | JS2 | 30 |
| | CAMARA 6.50-10 | JS2 | 30 |
| | CAMARA 145-10 | TR13 | 50 |
| 12 | CAMARA 4.00-12 | TR-15 | 60 |
| | CAMARA 10.0/80-12 | TR15 | 15 |
| | CAMARA 145/70R12 | TR13 | 40 |
| | CAMARA 27-10.00-12 | JS2 | 15 |
| | CAMARA 6.50/80-12 | TR13 | 40 |
| | CAMARA 6.50/80-12 | TR15 | 40 |
| | CAMARA 6.50/80-12 | TR-218A | 40 |
| | CAMARA 7.00-12 | TR-75A | 20 |
| | CAMARA 7.00-12 | TR13 | 20 |
| | CAMARA 7.00-12 | TR15 | 20 |
| | CAMARA 23X8,50-12 | TR218A | 20 |
| | CAMARA 23X8,50-12 | TR13 | 20 |
| | 13 | CAMARA 135/145-70-13 | TR13 |
| CAMARA 145/155-70-13 | | TR13 | 35 |
| CAMARA 165/70-13 | | TR13 | 35 |
| CAMARA 175/70R13 | | TR13 | 30 |
| CAMARA 185/195/205R13 | | TR13 | 30 |
| 14 | CAMARA 175/185R14 | TR13 | 25 |
| | CAMARA 195/205R14 | TR13 | 20 |

| | REFERENCIA Reference | VALVULA Valve | Ud/ CAJA Pc/box |
|-------------|--------------------------|------------------|--------------------|
| 15 | CAMARA 5.00-15 | TR15 | 35 |
| | CAMARA 7.00X15 | JS2 | 20 |
| | CAMARA 7.00-15 | TR15 | 20 |
| | CAMARA 7.50R15 | V3.02.8 | 20 |
| | CAMARA 7.50/8,25R15 | V3.06 | 20 |
| | CAMARA 8.15-15 (28X9-15) | V3.02.8 | 20 |
| | CAMARA 8.25R15 | V3.02.8 | 15 |
| | CAMARA 155/70R15 | TR13 | 25 |
| | CAMARA 165/175R15 | TR13 | 25 |
| | CAMARA 175/185R15 | TR13 | 25 |
| | CAMARA 175/185R15 | TR15 | 25 |
| | CAMARA 195/70R15 | TR13 | 20 |
| | CAMARA 195/205R15 | TR13 | 20 |
| | CAMARA 225/70R15 | TR13 | 20 |
| | CAMARA 27X8.50/10.50-15 | TR13 | 20 |
| | CAMARA 250-15 | V3.02.8 | 20 |
| | CAMARA 300-15 | V3.02.8 | 15 |
| 15,3 | CAMARA 10.0/75-15.3 | TR15 | 15 |
| | CAMARA 11.5/80-15.3 | TR15 | 12 |
| | CAMARA 12.5/80-15.3 | TR15 | 10 |
| 15,5 | CAMARA 400/60-15.5 | TR15 | 10 |
| 16 | CAMARA 6.00-16 | TR15 | 25 |
| | CAMARA 6.00/6.50-16 | TR15 | 20 |
| | CAMARA 6.50-16 | TR-218A | 25 |
| | CAMARA 7.00/7.50-16 | TR15 | 18 |
| | CAMARA 7.50-16 | TR-218A | 18 |
| | CAMARA 7.00-16 | V3.02.7 | 18 |
| | CAMARA 7.50-16 | V3.02.8 | 18 |
| | CAMARA 9.00-16 | TR15 | 15 |
| | CAMARA 10.00-16 | TR15 | 12 |
| | CAMARA 11.00-16 | TR15 | 10 |
| | CAMARA 175R16 | TR13 | 25 |
| | CAMARA 175/185R16 | TR13 | 25 |
| | CAMARA 245/70R16 | TR13 | 15 |
| | CAMARA 245/75R16 | TR13 | 20 |
| | CAMARA 10.5/65-16 | TR15 | 15 |



| | REFERENCIA Reference | VALVULA Valve | Ud/ CAJA Pc/box |
|-----------------|-------------------------|------------------|--------------------|
| 16,5 | CAMARA 10-16.5 | TR15 | 15 |
| | CAMARA 12-16.5 | TR15 | 12 |
| 18 | CAMARA 7.50-18 | TR15 | 15 |
| | CAMARA 7.50-18 | TR-218A | 15 |
| | CAMARA 10.5/80-18 | TR15 | 9 |
| | CAMARA 12.5/14,5/80-18 | TR15 | 9 |
| 19 | CAMARA 13.0/65-18 | TR15 | 8 |
| | 4.00/4.50/4.75/5.00-19 | TR13 | 18 |
| | 4.00/4.50/4.75/5.00-19 | TR15 | 18 |
| | 7.50R20 | V3.06 | 15 |
| 20 | 7.50-20 | TR-218A | 15 |
| | 7.50-20 | TR-15 | 15 |
| | 8.25R20 | V3.02.10 | 12 |
| | 9.00R20 | V3.04.06 | 10 |
| | 10.00-20 | V3.04.5 | 10 |
| | 11.00R20 | V3.04.5 | 8 |
| | 12.00R20 | V3.06 | 6 |
| | 10,5-20 | TR15 | 12 |
| | 12.5/80-20 | TR15 | 7 |
| | 14.00R20 | V3.04 | 6 |
| | 16.0/70-20 | TR15 | 6 |
| | 22,5 | 10R22,5 | TR300 |
| 11R22,5 | | TR300 | 8 |
| 12R22,5 | | TR300 | 8 |
| 500/550/60-22,5 | | TR-218A | 2 |
| 24 | 12.00-24 | V3.06.8 | 6 |
| | 11.2/12.4-24 | TR-218A | 7 |
| | 13.6/14.9-24 | TR-218A | 6 |
| | 14.00-24 | TR-177A | 6 |
| | 14.00-24 | V3.04.5 | 6 |
| | 14,9-24 | TR-218A | 6 |
| | 15,5/80-24 / 16,5/80-24 | TR-218A | 6 |
| | 16,9-24 | TR-218A | 4 |
| | 420/460/70-24 | TR-218A | 4 |

| | REFERENCIA Reference | VALVULA Valve | Ud/ CAJA Pc/box |
|-----------|-------------------------|------------------|--------------------|
| 25 | 15.5-25 | TRJ 1175 C | 5 |
| | 17.5-25 | TRJ 1175 C | 4 |
| | 18.00-25 | TRJ 1175 C | 5 |
| | 20.5-25 | TRJ 1175 C | 3 |
| | 23.5-25 | TRJ 1175 C | 2 |
| 26 | 13,6/14,9-26 | TR-218A | 5 |
| | 16,9/18,4-26 | TR-218A | 3 |
| | 23.1-26 | TR-218A | 2 |
| 28 | 11.2/12.4-28 | TR-218A | 6 |
| | 13.6/14.9-28 | TR-218A | 5 |
| | 16,9-28 | TR-218A | 4 |
| 30 | 14.9/15,5-30 | TR-218A | 4 |
| | 16.9-30 | TR-218A | 3 |
| | 18.4-30 | TR-218A | 3 |
| | 23.1-30 | TR218A | 2 |
| 32 | 8.3/9.5-32 | TR218A | 8 |
| 34 | 16,9/18,4-34 | TR-218A | 3 |
| 36 | 4.00-36 | TR15 | 15 |
| | 8.3/9.5-36 | TR-218A | 7 |
| | 12.4/13,6-36 | TR-218A | 5 |
| 38 | 11.2/12.4-38 | TR-218A | 5 |
| | 13,6/14,9-38 | TR-218A | 4 |
| | 16.9-38 480/70-38 | TR-218A | 3 |
| | 15,5-38 | TR-218A | 3 |
| | 18.4-38 520/70-38 | TR-218A | 3 |
| | 20.8-38 | TR-218A | 2 |
| 42 | 650/85-38 710/70-38 | TR-218A | 2 |
| | 710/70-42 | TR-218A | 1 |

